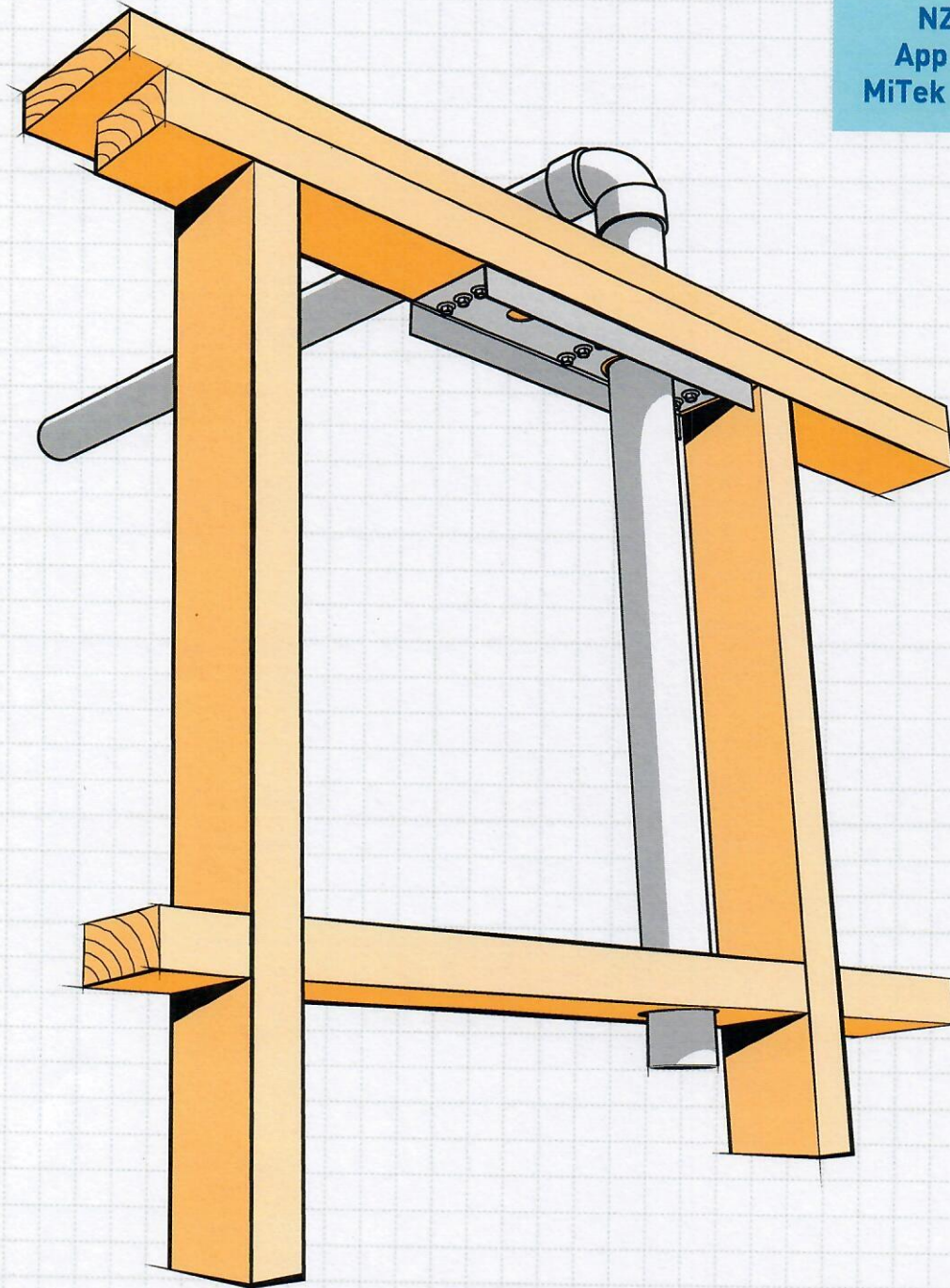


# TOP PLATE STIFFENER

FOR PLUMBING OR VACUUM SYSTEM DUCTING THROUGH TOP PLATES

- Reinforces the top plate back to FULL STRENGTH
- Alternative solution to figure 8.20 NZS 3604:2011

NZ REG DESIGN  
App 408133 © 2006  
MiTek New Zealand Ltd.



AVAILABLE FROM LEADING BUILDERS SUPPLY MERCHANTS THROUGHOUT NEW ZEALAND

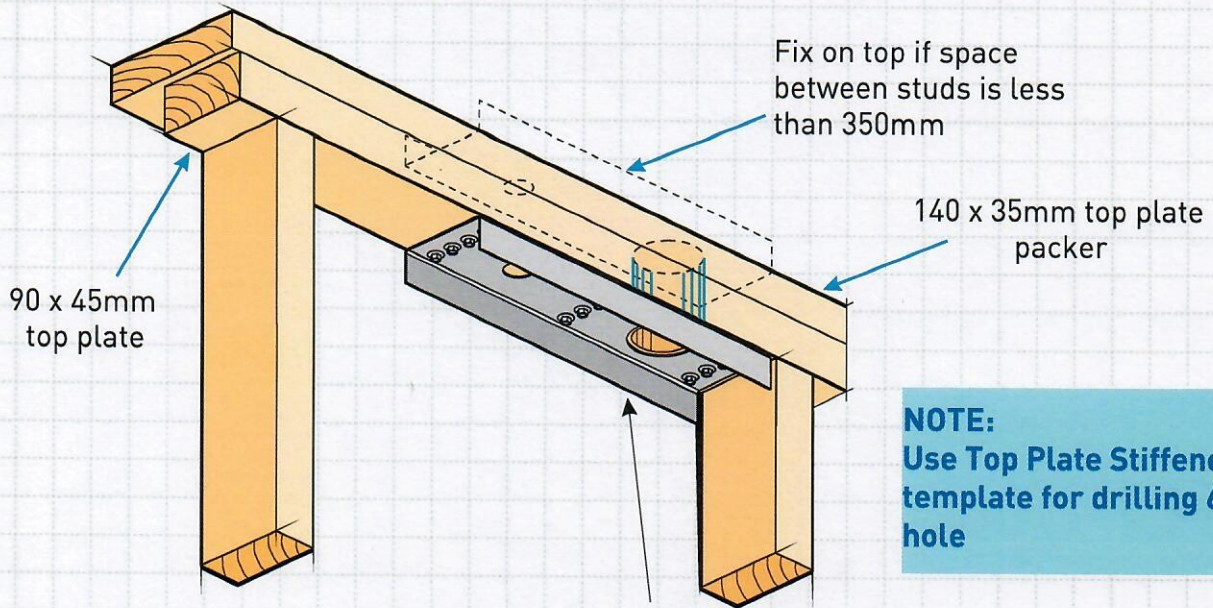
MiTek  
**LUMBERLOK**<sup>®</sup>  
Timber Connectors

[www.mitek.nz.co.nz](http://www.mitek.nz.co.nz)





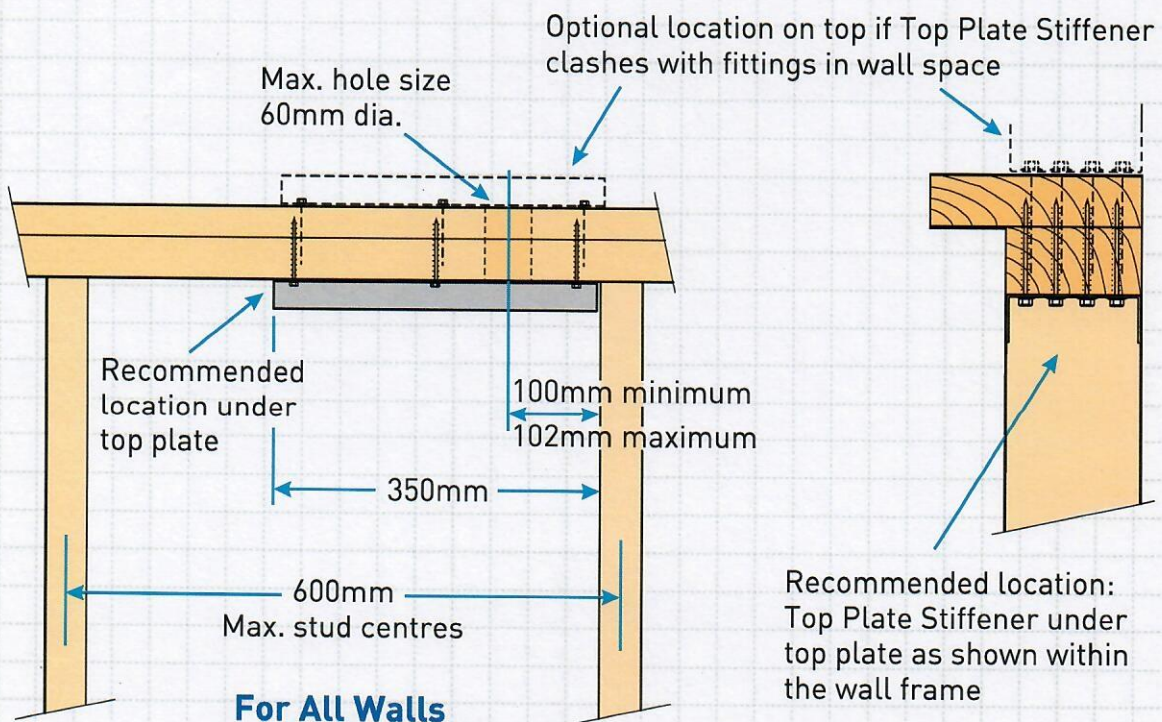
# TOP PLATE STIFFENER



**NOTE:**  
Use Top Plate Stiffener as template for drilling 60mm hole

**NOTE:**  
For single top plate fix with Type 17-14g x 35mm Hex Head Screws (not supplied)

Fix up into top plate and into packer with 3 rows of 4 x Type 17-14g x 75mm Hex Head Screws (supplied). It may be advisable to drill pilot hole for each screw to assist installation



**Code:** TPS  
**Material:** 1.55mm G300 Z275 Galvanised Steel  
**Packed:** 8 x Framing Stud Stiffeners per carton  
 100 x Type 17-14g x 75mm Hex Head Galvanised Screws